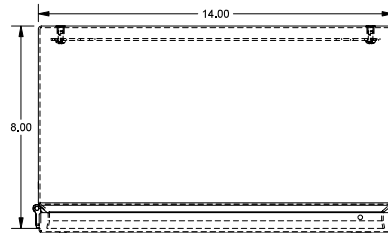
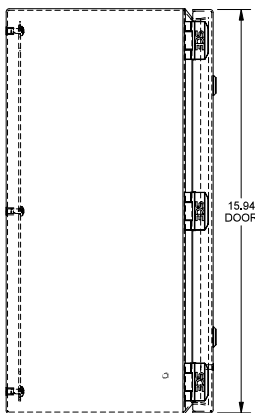


# HS-X10A-BX01-UL Wiring Diagram

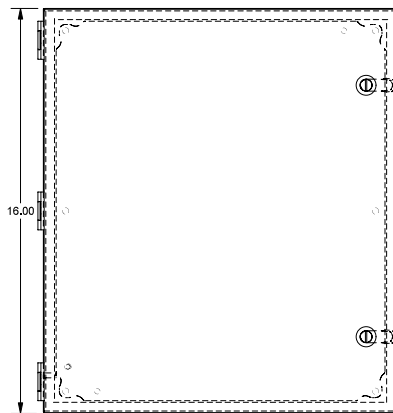
## Horner Solutions Enclosure



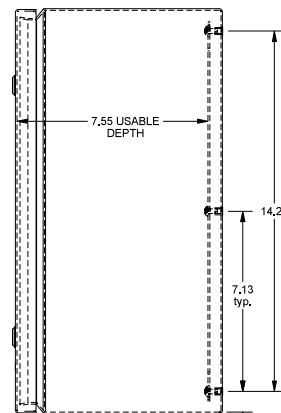
Top View



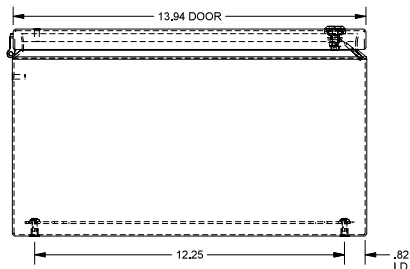
Left Side View



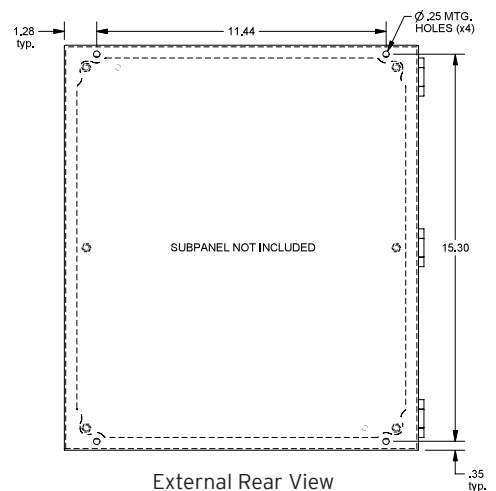
Front View



Right Side View



Bottom View

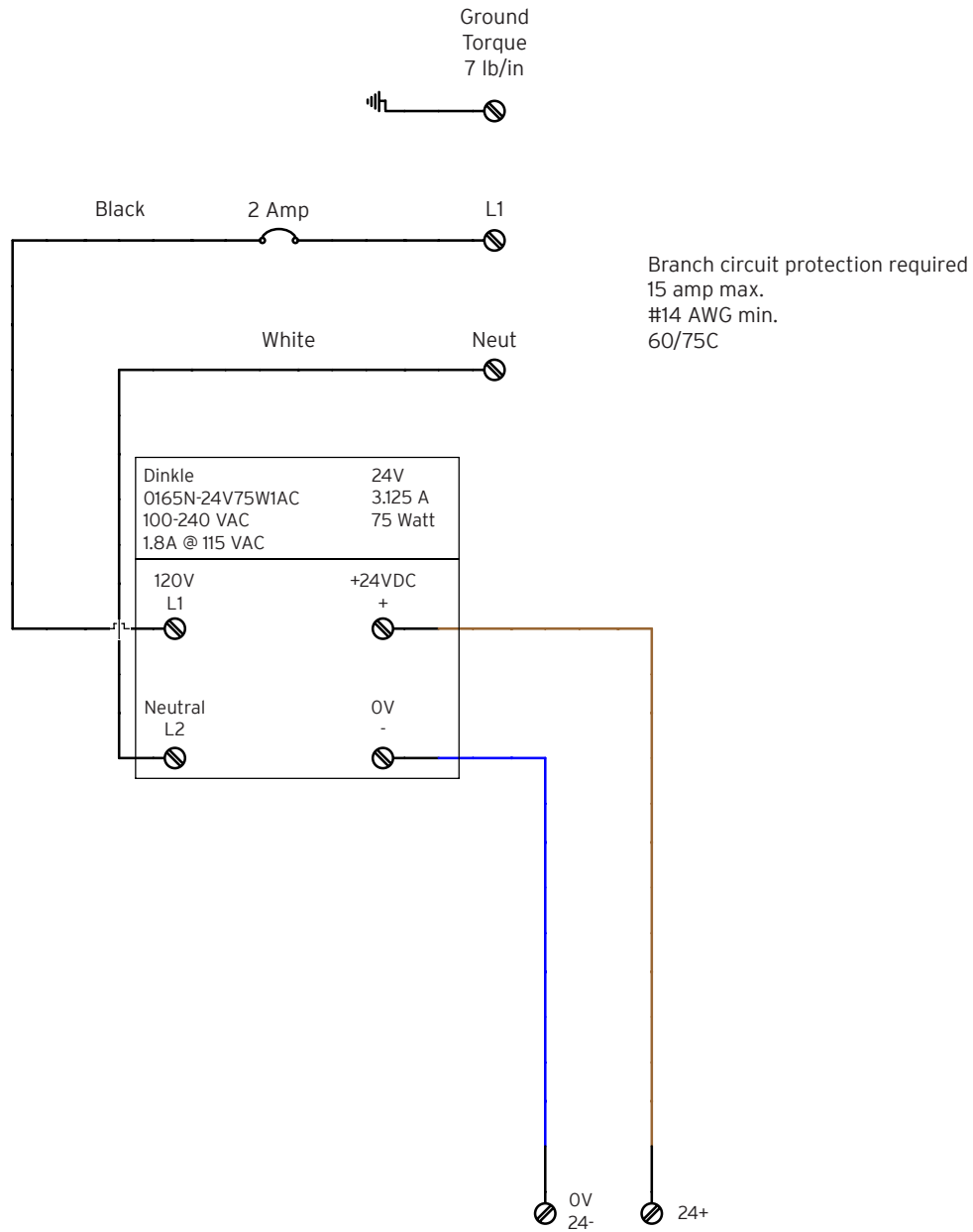


External Rear View

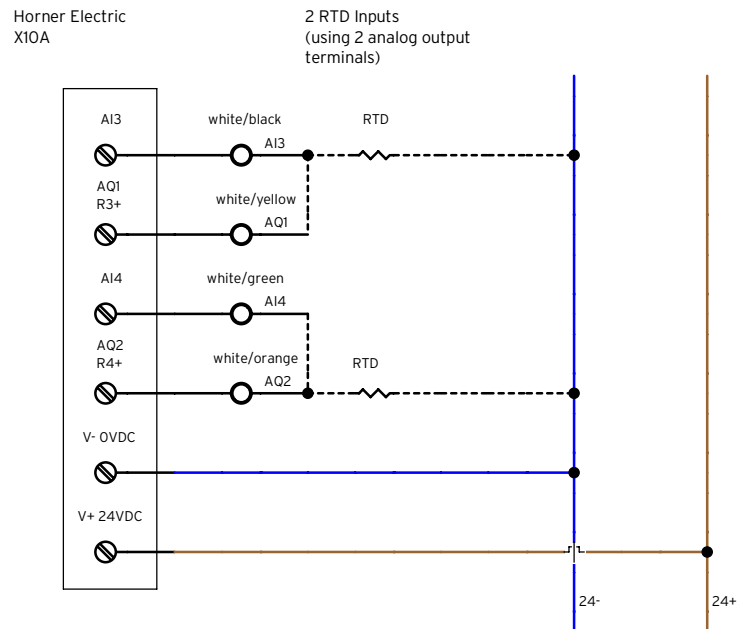
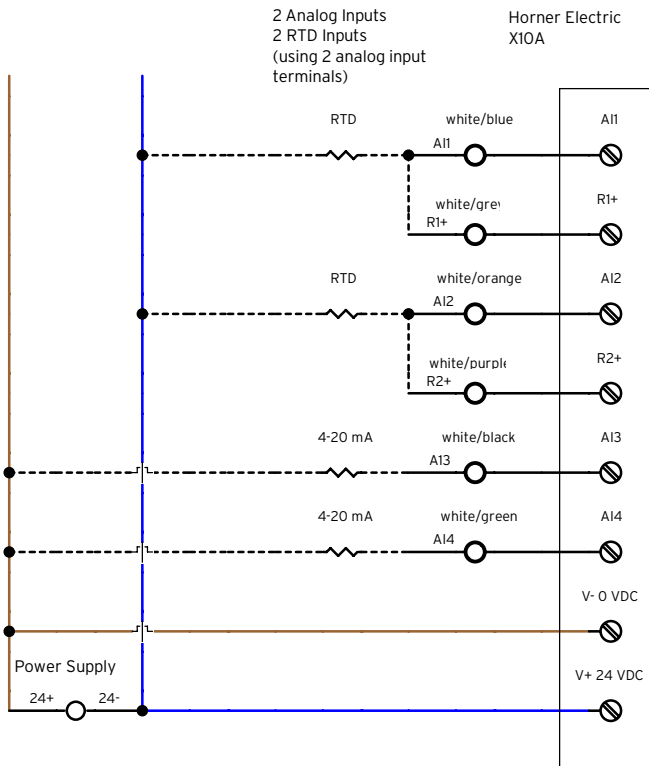
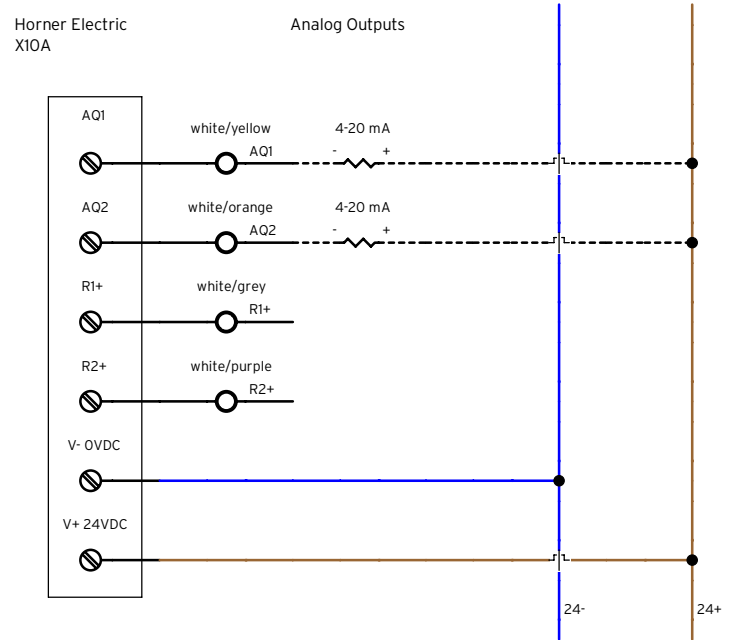
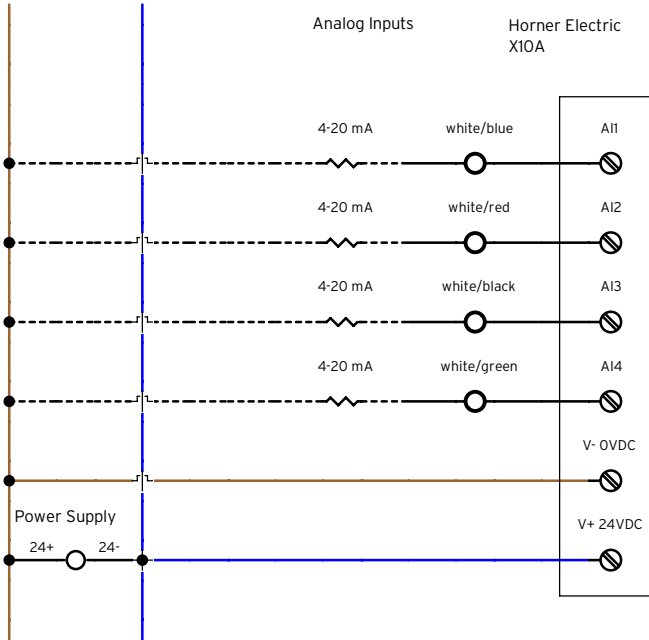
Saginaw Control & Engineering  
SCE-16148ELJ = SCE-09 Gray  
SCE-16148ELJLG = RAL 7035

Data subject to change without notice

## Horner Solutions Control Circuit



## Horner Solutions Analog



Respective analog inputs and analog outputs cannot be used if the respective input or output is being used and configured for a RTD. Up to 4 RDT's can be used. If such is the case, than no 4-20 mA input or 4-20 mA output can be used.

# Horner Solutions Digital

